



20V BRUSHLESS CORDLESS IMPACT DRILL/DRIVER-60N.m



ITEM NO. 8861P

INSTRUCTION MANUAL

SPECIFICATION


Model	8861P
Voltage	20 V
No-load Speed	I: 0-500 rpm II: 0-1800 rpm
Max-Torque	60 N.m
Impact Rate	0-28800 bpm
Chuck Size	13 mm
Chuck Type	Keyless(Metal)
Battery Type	Lithium-Ion
Torque Setting	20+3
Battery Capacity	2 Ah
Drilling Capacity	Metal: 13 mm Wood: 38 mm Concrete: 8 mm
Supplied With	BMC
Accessory	2 Pcs Battery 1 Pc Charger 1 Pc Side Handle


PART LIST**Product Elements**

- | | |
|--------------------------|-----------------------------|
| 1. Speed Selector | 5. Keyless Chuck |
| 2. Forward/reverse Lever | 6. Adjustable Torque Clutch |
| 3. Switch Trigger | 7. Battery Pack |
| 4. Work Light | 8. Side Handle |

 **NOTE!**

In order to achieve the best performance of your product, please read this instruction manual carefully before using, and keep it for future reference.

 This sign means the existence of dangerous voltage at the inside of the unit, which states a risk of electric shock.

 This sign means that there are important instructions of operation and handling in the manual that comes with this device.

GENERAL POWER TOOL SAFETY WARNINGS

 **WARNING!**

Read all safety warnings and all instructions. Failure to follow the warnings and instructions may result in electric shock, fire and or serious injury.

Save all warnings and instructions for future reference.

The term "power tool" in the warnings refers to your mains-operated (corded) power tools or battery operated (cordless) power tool.

WORK AREA SAFETY

- ▷ Keep work area clean and well lit. Cluttered or dark areas invite accidents.
- ▷ Don't operate power tools in explosive atmospheres, such as in the presence of flammable liquids, gases or dust. Power tools create sparks which may ignite the dust or fumes.
- ▷ Keep children and bystanders away while operating a power tool. Distractions can cause you to lose control.

ELECTRIC SAFETY

- ▷ Power tool plugs must match the outlet. Never modify the plug in any way. Don't use any adaptor plugs with earthed (grounded) power tools. Unmodified plugs and matching outlets will reduce risk of electric shock.
- ▷ Avoid body contact with earthed or grounded surfaces such as pipe, radiators, ranges and refrigerators. There is an increased risk of electric shock if your body is earthed or grounded.
- ▷ Don't expose power tools to rain or wet conditions. Water entering a power tool will increase the risk of electric shock.
- ▷ Don't abuse the cord. Never use the cord for carrying, pulling or unplugging the power tool. Keep cord away from heat, oil, sharp edges or moving parts. Damaged or entangled cords increased the risk of electric shock.

PERSONAL SAFETY

- ▶ Stay alert, watch what you are doing and use common sense when operating a power tool. Don't use a power tool while you are tired or under the influence of drugs, alcohol or medication. A moment of inattention while operating power tools may result in serious personal injury.
- ▶ Use personal protective equipment. Always wear eye protection. Protective equipment such as dust mask, non-skid safety shoes, hard hat, or hearing protection used for appropriate conditions will reduce personal injuries.
- ▶ Prevent unintentional starting. Ensure the switch is in the off-position before connecting to power source and/or battery pack, picking up or carrying the tool. Carrying power tools with your finger on the switch or energizing power tools that have the switch on invites accidents.
- ▶ Remove any adjusting key or wrench before turning the power tool on. A wrench or a key left attached to a rotating part of the power tool may result in personal injury.
- ▶ Don't overreach. Keep proper footing and balance at all times. This enables better control of the power tool in unexpected situations.
- ▶ Dress properly. Don't wear loose clothing or jewelry. Keep your hair, clothing, and gloves away from moving parts. Loose cloths, jewelry or long hair can be caught in moving parts.
- ▶ If devices are provided for connection of dust extraction and collection facilities, ensure these are connected and properly used. Use of dust collection can reduce dust-related hazards. Collection can reduce dust-related hazards.

POWER TOOL USE AND CARE

- ▶ Don't force the power tool. Use the correct power tool for your application. The correct power tool will do the job better and safer at the rate for which it was designed.
- ▶ Don't use the power tool if the switch doesn't turn it on and off. Any power tool that cannot be controlled with the switch is dangerous and must be repaired.
- ▶ Disconnect the plug from the power source and/or the battery pack from the power tool before making any adjustments, changing accessories, or storing power tools. Such preventive safety measures reduce the risk of starting the power tool accidentally.
- ▶ Store idle power tools out of the reach of children and don't allow persons unfamiliar with power tool or these instructions to operate the power tool. Power tools are dangerous in the hands of untrained users.
- ▶ Maintain power tools. Check for misalignment or binding of moving parts, breakage of parts and any other condition that may affect the power tool's operation. If damaged, have the power tool repaired before use. Many accidents are caused by poorly maintained power tools.
- ▶ Keep cutting tools sharp and clean. Properly maintained cutting tools with sharp cutting edges are less likely to bind and are easier to control.
- ▶ Use the power tool, accessories and tool bits etc. in accordance with the instruction, taking into account the working conditions and the work to be performed. Use of the power tool for operations different from those intended could result in a hazardous situation.

- ▷ Use the power tool, accessories and tool bits etc. in accordance with the instruction, taking into account the working conditions and the work to be performed. Use of the power tool for operations different from those intended could result in a hazardous situation.

BATTERY TOOL USE AND CARE

- ▷ Recharge only with the charger specified by the manufacturer. A charger that is suitable for one type of battery pack may create a risk of fire when used with another battery pack.
- ▷ Use power tools only with specifically designated battery packs. Use of any other battery packs may create a risk of injury and fire.
- ▷ When battery pack is not in use, keep it away from other metal objects, like paper clips, coins, keys, nails, screws or other small metal objects that can make a connection from one terminal to another. Shorting the battery terminals together may cause burns or a fire.
- ▷ Under abusive conditions, liquid may be ejected from the battery; avoid contact. If contact accidentally occurs, flush with water. If liquid contacts eyes, additionally seek medical help. Liquid ejected from the battery may cause irritation or burns.

SERVICE

- ▷ Have your power tool serviced by qualified repair person using only identical replacement parts. This will ensure that the safety of power tool is maintained.
- ▷ Follow instruction for lubricating and changing accessories.
- ▷ Keep handles dry, clean and free from oil and grease.

IMPORTANT SAFETY INSTRUCTIONS FOR BATTERY CARTRIDGE

- ▷ Before using battery cartridge, read all instructions and cautionary markings on battery charger, battery, and product using battery.
- ▷ Do not disassemble battery cartridge.
- ▷ If operating time has become excessively shorter, stop operating immediately. It may result in a risk of overheating, possible burns and even an explosion.
- ▷ If electrolyte gets into your eyes, rinse them out with clear water and seek medical attention right away. It may result in loss of your eyesight.

DO NOT SHORT THE BATTERY CARTRIDGE

- ▷ Do not touch the terminals with any conductive material.
- ▷ Avoid storing battery cartridge in a container with other metal objects such as nails, coins, etc.
- ▷ Do not expose battery cartridge to water or rain. A battery short can cause a large current flow, overheating, possible burns and even a breakdown.
- ▷ Do not store the tool and battery cartridge in locations where the temperature may reach or exceed 50 C .

- ▶ Do not incinerate the battery cartridge even if it is severely damaged or is completely worn out. The battery cartridge can explode in a fire.
- ▶ Be careful not to drop or strike battery.
- ▶ Do not use a damaged battery.

TIPS FOR MAINTAINING MAXIMUM BATTERY LIFE

- ▶ Charge the battery cartridge before completely discharged. Always stop tool operation and charge the battery cartridge when you notice less tool power.
- ▶ Never recharge a fully charged battery cartridge. Overcharging shortens the battery service life.
- ▶ Charge the battery cartridge with room temperature at 10C - 40C.
- ▶ Let a hot battery cartridge cool down before charging it.

CORDLESS DRILL/SCREW DRIVER SAFETY

WARNING!

Hold power tool by insulated gripping surfaces, when performing an operation where the fastener may contact hidden wiring or its own cord. Fasteners contacting a «live» wire may make exposed metal parts of the power tool live and could give the operator an electric shock.

- ▶ Always be sure you have a firm footing. Be sure no one is below when using the tool in high locations.
- ▶ Hold the tool firmly.
- ▶ Keep hands away from rotating parts.
- ▶ Do not leave the tool running. Operate the tool only when hand-held.
- ▶ Do not touch the drill bit or the work piece immediately after operation; they may be extremely hot and could burn your skin.

WARNING!

Do not let comfort or familiarity with product (gained from repeated use) replace strict adherence to safety rules for the subject product. Misuse or failure to follow the safety rules stated in this instruction manual may cause serious personal injury.

OPERATION INSTRUCTION

Some material contains chemicals which may be toxic. Take caution to prevent dust inhalation and skin contact. Follow material supplier safety data.

CAUTION!

Always be sure that the tool switched off and the battery cartridge is removed before adjusting or checking function on the tool.

INSTALLING OR REMOVING BATTERY PACK

- ▷ To remove the battery pack, withdraw it from the tool while pressing the buttons on both sides of the cartridge.
- ▷ To insert the battery pack, align the tongue on the battery pack with the groove in the housing and slip it into place.



1. Button
2. Battery cartridge

CAUTION!

- ▷ Always insert it all the way until it locks in place with a little click. If not, it may accidentally fall out of the tool, causing injury to you or someone around you.
- ▷ Do not use force when inserting the battery pack. If the battery pack does not slide in easily, it is not being inserted correctly.

SWITCH ACTION

CAUTION!

Before inserting the battery cartridge into the tool, always check to see that the switch trigger actuates properly and returns to the "OFF" position when released.

- ▷ To start the tool, simply pull the switch trigger. Tool speed is increased by increasing pressure on the switch trigger.
- ▷ Release the switch trigger to stop.

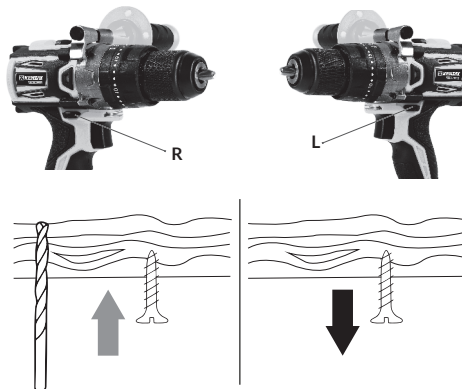


ELECTRIC BRAKE

This tool is equipped with an electric brake. If the tool consistently fails to quickly stop after switch trigger release, have tool serviced at service center.

FORWARD/REVERSING SWITCH ACTION

This tool has a reversing switch to change the direction of rotation. Depress the reversing switch lever from the R side for clockwise rotation or from the L side for counterclockwise rotation. When the reversing switch lever is in the neutral position, the switch trigger cannot be pulled.



CAUTION!

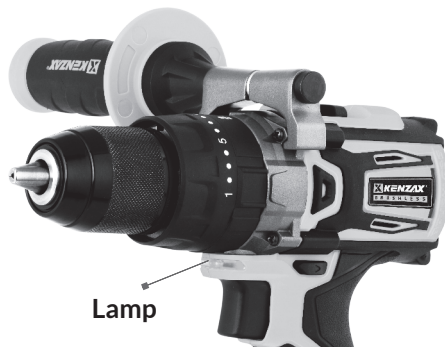
- ▷ Always check the direction of rotation before operation.
- ▷ Use the reversing switch only after the tool comes to a complete stop. Changing the direction of rotation before the tool stops may damage the tool.
- ▷ When not operating the tool, always set the reversing switch lever to the neutral position.

LIGHTING UP THE FRONT LAMP

CAUTION!

Do not look in the light or see the source of light directly.

- ▷ Pull the switch trigger to light up the lamp. The lamp keeps on lighting while the switch trigger is being pulled.

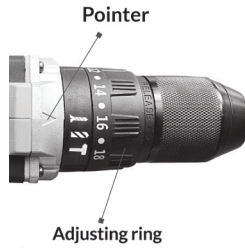


CAUTION!

Use a dry cloth to wipe the dirt off the lens of lamp. Be careful not to scratch the lens of lamp, or it may lower the illumination.

ADJUSTING THE FASTENING TORQUE

The fastening torque can be adjusted in 20 steps by turning the adjusting ring so that its graduations are aligned with the pointer on the tool body. The fastening torque is minimum when the number 1 is aligned with the pointer, and maximum when the number 20 is aligned with the pointer.



CAUTION!

Before actual operation, drive a trial screw into your material or a piece of duplicate material to determine which torque level is required for a particular application.

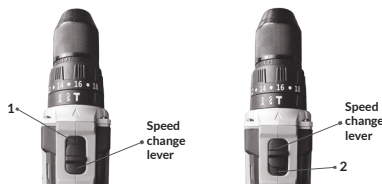
NOTE!

The adjusting ring does not lock when the pointer is positioned only halfway between the graduations.

SPEED CHANGE

To change the speed, first switch off the tool and then slide the speed change lever to the "2" side for high speed or "1" side for low speed.

Be sure that the speed change lever is set to the correct position before operation. Use the right speed for your job.

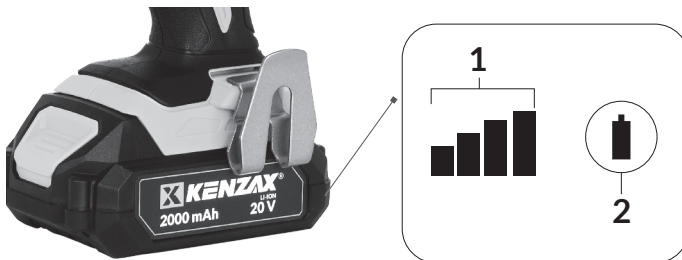


CAUTION!

- ▷ Always set the speed change lever fully to the correct position. If you operate the tool with the speed change lever positioned halfway between the "1" side and "2" side, the tool may be damaged.
- ▷ Do not use the speed change lever while the tool is running. The tool may be damaged.

LED FOR BATTERY CAPACITY

- ▷ When press the switch button, the LED for the battery capacity will be lighting, you can check the capacity status of the battery.



1. Indicator lamps
2. Check button

NOTE!

Please charge the battery after using each time, it is necessary to charge the battery per month if the machine is not use for a long time.

ASSEMBLY**⚠ CAUTION!**

Always be sure that the tool is switched off and the battery cartridge is removed before carrying out any work on the tool.

SIDE HANDLE**⚠ WARNING!**

To reduce the risk of personal injury, always operate the tool with the side handle properly installed. Failure to do so may result in the side handle slipping during tool operation and subsequent loss of control. Hold tool with both hands to maximize control.

- ▶ At first release the side handle screw, then insert the side handle on gearbox housing, finally turned the handle clockwise.

Side Handle**INSTALLING OR REMOVING DRIVER BIT OR DRILL BIT**

- ▶ Turn the sleeve counterclockwise to open the chuck jaws.
- ▶ Place the bit in the chuck as far as it will go.
- ▶ Turn the sleeve clockwise to tighten the chuck.

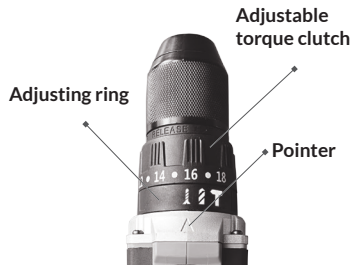
- ▷ To remove the bit, hold the ring and turn the sleeve counterclockwise.



OPERATION MODES

SCREWDRIVING OPERATION

First, turn the adjusting ring, so that the pointer points to the ∇ marking. then adjust one of the 20 steps by turning the Adjustable torque clutch and align with the pointer on the tool body. Start the tool slowly and then increase the speed gradually. Release the switch trigger as soon as the clutch cuts in.




CAUTION!

Make sure that the driver bit is inserted straight in the Screw head, or the screw and/or bit may be damaged.

NOTE!

When driving wood screws, predrill pilot holes to make driving easier and to prevent splitting of the workpiece.

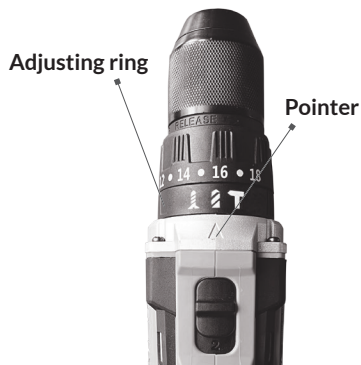
DRILLING OPERATION

First, turn the adjusting ring, so that the pointer points to the  marking. Then proceed as follows.

Drilling in wood: When drilling in wood, the best results are obtained with wood drills equipped with a guide screw. The guide screw makes drilling easier by pulling the bit into the workpiece.

Drilling in metal: To prevent the bit from slipping when starting a hole, make an indentation with a center-punch and hammer at the point to be drilled.

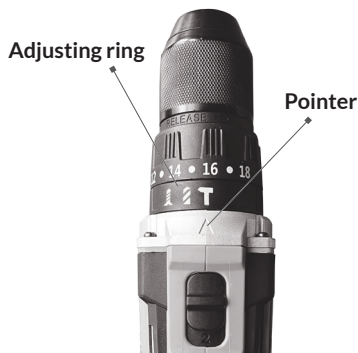
Place the point of the bit in the indentation and start drilling. Use a cutting lubricant when drilling metals. The exceptions are iron and brass which should be drilled dry.



IMPACT DRILLING OPERATION

Turn the adjusting ring, so that the pointer points to the  marking.

For drilling in masonry and maximum performance, use carbide-tipped masonry bits when drilling holes in brick, tile, etc.



WARNING!

1. Maintain a speed and pressure that allows cutting without overheating the bit or drill. applying too much pressure will:Overheat the hammer dill
 - ▷ Wear the bearings
 - ▷ Bend or burn the bits
 - ▷ Produce off-center or irregularly shaped holes.
2. Apply light pressure and medium speed for best results in brick.
3. When drilling holes in tile, practice on a scrap piece to determine the best speed and pressurebegin drilling at a very low speed to prevent the bit from slipping off the starting point

CAUTION!

Pressing excessively on the tool will not speed up the drilling. In fact, this excessive pressure will only serve to

- ▷ Damage the tip of your bit, decrease the tool performance and shorten the service life of the tool.
- ▷ There is a tremendous force exerted on the tool/bit at the time of hole break through. Hold the tool firmly and exert care when the bit begins to break through the workpiece.
- ▷ A stuck bit can be removed simply by setting the reversing switch to reverse rotation in order to back out. However, the tool may back out abruptly if you do not hold it firmly. Always secure small workpieces in a vise or similar hold down device.
- ▷ If the tool is operated continuously until the battery cartridge has discharged, allow the tool to rest for 15 minutes before proceeding with a fresh battery.

MAINTENANCE:

- ▷ Always be sure that the tool is switched off and the battery cartridge is removed before attempting to perform inspection or maintenance.
- ▷ To maintain product SAFETY and RELIABILITY, repairs, any other maintenance or adjustment should be performed by Professional Service Centers, always using our replacement parts.

- ◀ هنگام سوراخکاری و وارد شدن مته داخل کار نیروی زیادی وارد خواهد شد که در این هنگام باید دستگاه به خوبی مهار شود.
- ◀ در صورت گیر کردن مته در قطعه کار کافی است که دستگاه را در حالت چپگرد تنظیم کرده و مته را خارج نمایید.
- ◀ اگر در حین کار باتری تمام شد بلافاصله باتری را تعویض نکنید و اجازه دهید تا باتری و دستگاه به مدت ۱۵ دقیقه خنک شوند.

نگهداری

- ◀ همیشه قبل از اقدام به بازرسی یا تعمیر و نگهداری مطمئن شوید که ابزار خاموش است و باتری از دستگاه خارج شده است.
- ◀ هرگز از بنزین، الکل و موارد مشابه برای تمیزکاری دستگاه استفاده نکنید. این کار سبب آسیب به دستگاه میشود.



توجه!

برای حفظ ایمنی و قابلیت اطمینان محصول، هرگونه تعمیر و نگهداری یا تنظیم باید در مراکز خدمات پس از فروش کنزاکس انجام شود.

کنزاکس سرویس

ضمن تشکر از حسن انتخاب شما

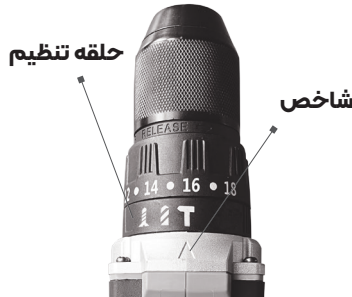
به همراه ابزار شما کارت ضمانت نامه ۱۲ ماهه کنزاکس سرویس ارائه می گردد.

لطفا توجه داشته باشید که هیچ کدام از اجزای داخلی ابزار، احتیاج به تعمیر و یا بهبود اضافه جهت بهینه نمودن عملکرد ندارند. بنابراین از هرگونه اعمال دستکاری یا مراجعه به مراکز تعمیرات غیر مجاز اجتناب نمایید و در صورت بروز هرگونه مشکل سریعا با مراکز سرویس و پشتیبانی کنزاکس به شماره ۰۲۱-۶۲۸۱۹-۰۲۱ و یا به وب سایت www.kenzax.com تماس حاصل نمایید.

عملیات سوراخکاری چکشی

علامت **T** روی حلقه تنظیم را مقابل شاخص قرار دهید .

برای سوراخکاری بهتر و دقیق در آجر ، کاشی و ... از مته‌های العاسه استفاده نمایید.



⚠️ اخطار!

۱. با سرعت یکسان و اعمال فشار متناسب به سطح قطعه کار که باعث افزایش دمای مته نشود، عملیات سوراخکاری را ادامه دهید. اعمال فشار بیش از حد باعث:

◀ افزایش دمای بیش از حد موتور دستگاه

◀ خوردگی بلبرینگ‌ها

◀ خم شدن و یا سوختن العاسه مته

◀ سوراخ ایجاد شده از حالت دایره ای خارج می‌شود.

۲. اعمال نیرو بسیار کم و سرعت متناسب برای دستیابی به نتیجه مطلوب در سوراخکاری آجر

۳. در زمان سوراخکاری روی کاشی، ابتدا روی سطحی غیر از سطح کار مورد نظران امتحان کنید تا بهترین سرعت و فشار متناسب را با سوراخکاری روی کاشی را پیدا کنید. در لحظه ابتدایی سوراخکاری برای جلوگیری از لغزش مته روی قطعه کار، نیاز است تا دستگاه با سرعت کم شروع به حرکت کند و سپس به سرعت مورد نظر برسد.

⚠️ هشدار!

اعمال نیروی مازاد به دستگاه موجب افزایش سرعت عملیات سوراخکاری نمی‌شود و تنها موجب آسیب دیدن نوک مته، کاهش کارایی دستگاه و کوتاه شدن طول عمر مفید دستگاه خواهد شد.

احتیاط! ⚠️

مطمئن شوید سری پیچگوشتی سالم بوده و آسیب ندیده باشد.

توجه! ⚠️

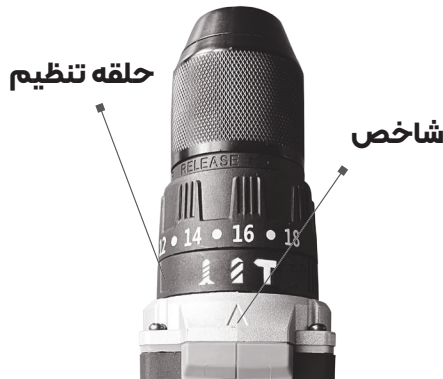
برای جلوگیری از خرابی و یا شکافتن چوب هنگام بستن پیچ، ابتدا توسط مته یک سوراخ راهنما در قطعه کار ایجاد نمایید.

عملیات سوراخکاری

علاصت  روی حلقه تنظیم (روکش ترکمتر) را مقابل علامت شاخص قرار دهید .

◀ برای سوراخکاری در چوب، حتما از مته مخصوص چوب استفاده کرده و با فشار مناسب اقدام به سوراخکاری نمایید.

◀ در سوراخکاری فلز، برای جلوگیری از سر خوردن مته بهتر است که یک سوراخ راهنما بزنیید و سپس به راحتی عملیات سوراخکاری را انجام دهید. همچنین در صورت نیاز میتوانید از مایع روانکار نیز استفاده نمایید.



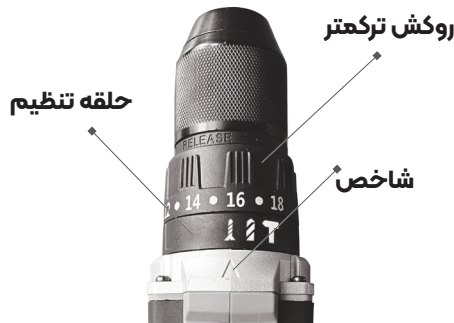
◀ جهت تعویض مته / سری پیچ گوشتی ، روکش سه نظام را در جهت خلاف عقربه های ساعت بچرخانید تا فک های سه نظام باز شده سپس ابزار را خارج نمایید.



حالات عملکردی

عملیات پیچ کاری

علامت روی حلقه تنظیم را مقابل شاخص قرار دهید. با توجه به نیاز خود یکی از اعداد ترکمتر را انتخاب کرده و روبروی علامت شاخص قرار دهید. سری پیچگوشتی نصب شده روی دستگاه را بر روی پیچ قرار داده و به آرامی دستگاه را روشن نمایید. بعد از بستن شدن کامل پیچ و شنیدن صدای کلاچ (تق تق) دست خود را از روی ماشه سوئیچ بردارید.



⚠ احتیاط!

همیشه قبل از تنظیم یا بررسی عملکرد ابزار، مطمئن شوید که ابزار خاموش است و باتری خارج شده است.

دسته کمکی**⚠ هشدار!**

برای کاهش خطر آسیب دیدگی، همیشه ابزار را با دسته کمکی که به درستی نصب شده است، استفاده نمایید. ابزار را با دو دست نگه دارید تا از کنترل خارج نشود.

پیچ دسته کمکی را شل کنید و لقمه‌های فلزی دسته را بر روی محل خود در پوسته گیربکس قرار دهید. در انتها پیچ دسته را کاملاً محکم نمایید.

دسته کمکی**نصب و تعویض مته / سری پیچ گوشتی**

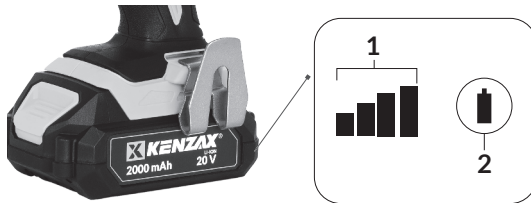
- ◀ توسط دست، روکش سه نظام را در جهت خلاف عقربه‌های ساعت بچرخانید تا فک‌های سه نظام به اندازه دلخواه باز شوند.
- ◀ مته و یا سری پیچ گوشتی را داخل سه نظام قرار دهید.
- ◀ در انتها روکش سه نظام را در جهت عقربه‌های ساعت بچرخانید تا فک‌های سه نظام بسته شده و مته / سری پیچ گوشتی کاملاً در جای خود محکم شود.

احتیاط!

- ◀ همیشه دکمه تغییر سرعت را به طور کامل در موقعیت صحیح قرار دهید. در صورت قرار گرفتن دکمه تغییر سرعت بین عدد (۱) و (۲) قطعا گیربکس دستگاه آسیب خواهد دید.
- ◀ در حین چرخش دستگاه هرگز از دکمه تغییر سرعت استفاده نکنید. این کار سبب آسیب جدی به دستگاه می‌شود.

چراغ نشانگر شارژ باتری

با فشار دادن دکمه روی پوسته باتری چراغ‌های نشانگر شارژ روشن می‌شوند و می‌توان از وضعیت میزان شارژ باتری مطلع شد.



۱. چراغ نشانگر شارژ
۲. دکمه

توجه!

- ◀ لطفاً پس از هر بار استفاده میزان شارژ را بررسی و در صورت لزوم باتری را شارژ نمایید.
- ◀ اگر دستگاه برای مدت طولانی استفاده نمی‌شود، لازم است باتری را هر ماه شارژ و دشارژ کنید.

احتیاط! ⚠️

قبل از شروع به کار بر روی یک قطعه آزمایشی میزان گشتاور مورد نیاز خود را بررسی و امتحان کنید.

توجه! ⚠️

حتما اعداد را دقیقاً رو بروی علامت شاخص قرار دهید. در صورتیکه فاصله بین دو عدد رو بروی شاخص باشد احتمال آسیب به دستگاه و بروز مشکل در عملیات کاری وجود دارد.

تغییر سرعت

با استفاده از دکمه تغییر سرعت می توان ، سرعت دستگاه را در دو حالت کم و یا زیاد تنظیم نمود.

سرعت کم: دکمه را به سمت پایین کشیده و روی عدد (۱) قرار دهید.

سرعت زیاد: دکمه را به بالا کشیده و روی عدد (۲) قرار دهید.



چراغ روشنایی

احتیاط!

مستقیماً به منبع نور خیره نشوید.

◀ ماشه سوئیچ را فشار دهید تا چراغ دستگاه روشن شود. تا زمانی که ماشه فشرده شده است، چراغ دستگاه روشن می‌ماند.

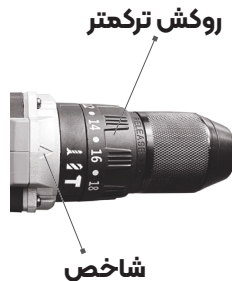


احتیاط!

از یک پارچه خشک و تمیز برای پاک کردن کثیفی از روی لنز چراغ استفاده کنید. مراقب باشید که لنز را خراش ندهید، در این صورت ممکن است شدت نور کاهش یابد.

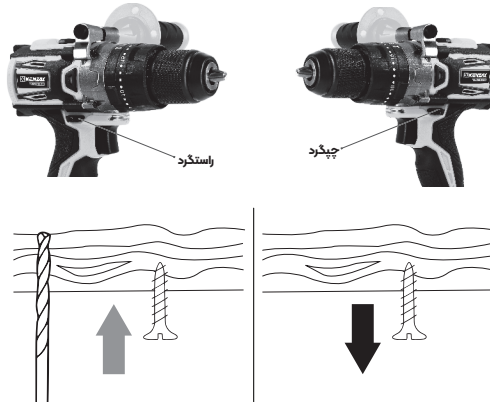
تنظیم گشتاور

تنظیم میزان گشتاور خروجی دستگاه از طریق روکش ترکمتر و ۲۰ عدد درج شده روی آن امکان پذیر می‌باشد. با قرار دادن عدد (۱) روبروی علامت شاخص، کمترین گشتاور خروجی و با قرار دادن عدد (۲۰) روبروی علامت شاخص، بیشترین گشتاور خروجی در اختیار شما قرار خواهد گرفت.



عملکرد چپگرد/راستگرد سوئیچ

این دستگاه دارای کلید چپگرد/راستگرد جهت تغییر جهت چرخش می باشد.
جهت چرخش راستگرد: کلید را از سمت راست دستگاه به سمت داخل بفشارید.
جهت چرخش چپگرد: کلید را از سمت چپ دستگاه به سمت داخل بفشارید.



توجه! ⚠️

هنگامی که کلید چپگرد/راستگرد در موقعیت وسط قرار دارد، سوئیچ دستگاه قفل شده و امکان روشن شدن وجود ندارد.

احتیاط! ⚠️

- ◀ همیشه قبل از عملیات جهت چرخش را بررسی کنید.
- ◀ از کلید چپگرد/راستگرد فقط پس از توقف کامل ابزار استفاده کنید. تغییر جهت چرخش قبل از توقف کامل ممکن است به ابزار آسیب برساند.
- ◀ هنگامی که از ابزار استفاده نمی کنید کلید چپگرد/راستگرد را در موقعیت وسط قرار دهید.

احتیاط!

همیشه باتری را تا انتها داخل پوسته دستگاه قرار داده و از شنیدن صدای کلیک (که نشان دهنده قفل شدن باتری به صورت صحیح می باشد) اطمینان حاصل نمایید. در غیر این صورت، ممکن است که باتری به طور تصادفی از دستگاه جدا شده و باعث آسیب به شما یا اطرافیان و خود باتری شود.
اگر باتری به راحتی داخل پوسته حرکت نمی کند، به درستی جاگذاری نشده است.

عملکرد سوئیچ**احتیاط!**

قبل از قرار دادن باتری در ابزار، همیشه بررسی کنید که ماشه سوئیچ به درستی فعال شده و پس از رها شدن به موقعیت "OFF" برمی گردد. تنظیم عمق برشی
برای راه اندازی ابزار کافی است ماشه سوئیچ را فشار دهید. سرعت ابزار با افزایش فشار روی ماشه سوئیچ افزایش می یابد.
ماشه سوئیچ را رها کنید تا ابزار متوقف شود.

**ماشه سوئیچ****ترمز الکتریکی**

این دستگاه به منظور توقف سریع حرکت سه نظام بعد از برداشتن دست از روی ماشه سوئیچ به سیستم ترمز الکتریکی مجهز شده است.

توجه!

در هنگام عملکرد ترمز الکتریکی، احتمال مشاهده جرقه در قسمت موتور وجود دارد که این موضوع طبیعی بوده و خللی در عملکرد دستگاه ایجاد نمی کند.

- ◀ هرگز بلافاصله بعد از سوراخکاری مته یا قطعه کار را لمس ننمائید زیرا به شدت داغ هستند و ممکن است موجب سوختگی پوست شوند.
- ◀ غبارات ناشی از سوراخکاری و ... بعضی از مواد شیمیایی موجب سرطان، مشکلات تنفسی و زیان‌های جانی جبران ناپذیر خواهد شد. بنابراین از استنشاق یا تماس پوست با این مواد اجتناب نمائید. همواره از لوازم ایمنی مانند دستکش و عینک ایمنی استفاده نمائید. همچنین برای کارهایی که گرد و غبار ایجاد می‌کنند حتماً از ماسک استفاده نمائید.

دستورالعمل‌های عملیاتی



همیشه قبل از تنظیم یا بررسی عملکرد ابزار، مطمئن شوید که ابزار خاموش است و باتری خارج شده است.

نصب و تعویض باتری

- ◀ دکمه قفل کن روی باتری را فشار دهید سپس باتری را به سمت جلو کشیده و از جای خود خارج نمایید.
- ◀ برای نصب، زبانه روی باتری را با شیار داخل پوسته دستگاه هم تراز کرده و با فشار به سمت داخل آن را در جای خود قرار دهید.



۱. دکمه قفل کن
۲. باتری

موارد زیر ممکن است موجب ایجاد اتصال کوتاه باتری شود

- ◀ هرگز قطب‌های باتری را در تماس با مواد رسانا قرار ندهید.
- ◀ هرگز باتری را در مجاورت فلزاتی مانند میخ، سکه و ... قرار ندهید.
- ◀ هرگز باتری را در معرض باد و باران قرار ندهید. اتصال کوتاه باتری ممکن است موجب آتش سوزی و یا خراب شدن باتری یا دستگاه گردد.
- ◀ هرگز دستگاه و یا باتری را در محیطی با دمای بالای ۵۰ درجه سانتی گراد قرار ندهید.
- ◀ هرگز باتری دستگاه را حتی در شرایطی که دیگر قابل استفاده نیست، داخل آتش نیندازید. زیرا ممکن است موجب آتش سوزی گردد.
- ◀ مراقب باشید که باتری بر روی زمین نیوفتد و یا باز نشود.
- ◀ هرگز از باتری معیوب استفاده ننمائید.

نکاتی برای حداکثر کردن طول عمر باتری

- ◀ همواره قبل از اینکه شارژ باتری به طور کامل تخلیه شود، اقدام به شارژ مجدد دستگاه نمائید و هر زمان که احساس کردید قدرت دستگاه کم شده است اقدام به شارژ مجدد آن نمائید.
- ◀ هرگز باتری را که شارژ کامل شده است، مجدداً شارژ ننمائید. این کار موجب کاهش طول عمر باتری خواهد شد.
- ◀ همواره باتری را در دمای اتاق (بین ۱۰ تا ۴۰ درجه سانتیگراد) شارژ نمائید. در صورت داغ کردن باتری قبل از شارژ مجدد آن اجازه دهید که خنک شود.

دستورالعمل‌های ایمنی مربوط به دریل کاری/پیچ بستن

- ◀ در هنگام سوراخکاری و یا پیچ بستن بر روی سطوحی که احتمال وجود سیم‌های حامل جریان برق در آنها وجود دارد از عایق‌های الکتریکی مناسب بر روی دسته دریل استفاده نمائید. هرگونه اتصال قسمت فلزی ابزار با سیم‌های حامل جریان برق در حین کار باعث برق گرفتگی و صدمات جانی خواهد شد.
- ◀ حالت صحیح قرارگیری پاها و حفظ تعادل بدن حین کار از خارج شدن کنترل دستگاه جلوگیری می‌نماید. همچنین در صورت کار در ارتفاع اطمینان حاصل نمائید که کسی زیر محل کار قرار نگرفته باشد.
- ◀ در هنگام سوراخکاری و یا بستن پیچ، دستگاه را با دو دست را محکم بگیرید.
- ◀ دست‌هایتان را از قطعات دوار مانند مته، سه نظام و ... دور نگاهدارید.
- ◀ هرگز دستگاه را روشن رها نکنید و همچنین زمانی که دستگاه روشن است آن را جابه جا ننمائید.

- ◀ از ابزارآلات برقی به خوبی نگهداری نمائید. هرگونه تنظیمات، گیرکردن قطعات دوار و یا هر وضعیت دیگری که ممکن است بر روی عملکرد دستگاه تاثیر بگذارد را بررسی نمائید و در صورت آسیب دیدگی قبل از استفاده، آن مورد را رفع نمائید. بیشتر حوادث از عدم نگهداری صحیح ابزارآلات برقی رخ می‌دهد.
- ◀ همواره از ابزار و لوازم جانبی مناسب این دستگاه استفاده نمائید. همچنین از این دستگاه تنها برای کارهایی که برای آن تهیه و طراحی شده است، استفاده نمائید.

استفاده از باتری

- ◀ تنها از شارژرهای مخصوص این دستگاه استفاده نمائید. شارژر مناسب یک دستگاه ممکن است برای استفاده از باتری دستگاه‌های دیگر خطرآفرین باشد.
- ◀ تنها از باتری‌های مخصوص این دستگاه استفاده نمائید. استفاده از باتری دستگاه‌های دیگر ممکن است منجر به آسیب دیدن دستگاه و باتری گردد.
- ◀ هرگز باتری را در مجاورت فلزاتی مانند سکه، کلید، میخ و... قرار ندهید که منجر به ایجاد اتصال کوتاه و آتش سوزی خواهد شد.
- ◀ در صورت خراب شدن باتری و تراوش مایع داخل آن، هرگز این مایع را لمس نکنید و در صورتیکه سهواً با مایع تماس پیدا کردید، فوراً محل مربوطه را با آب بشوئید. همچنین در صورت تماس مایع با چشم‌هایتان، فوراً چشم‌ها را با آب شسته و به پزشک مراجعه نمائید. مایع داخل باتری ممکن است موجب تورم یا سوختگی گردد.

تعمیرات و نگهداری

- ◀ برای هرگونه تعمیر و تعویض قطعات، تنها به مراکز خدمات پس از فروش شرکت کنزاکس مراجعه نمائید.

نکات ایمنی مربوط به باتری دستگاه

- ◀ قبل از استفاده از باتری کلیه دستورالعمل‌ها و نکات ایمنی مربوط به شارژر، باتری و دستگاه را مطالعه نمائید.
- ◀ هرگز سلول‌های باتری را باز نکنید.
- ◀ اگر شارژر دستگاه به سرعت تمام می‌شود، فوراً کار را متوقف کرده و دستگاه را خاموش کنید. زیرا ممکن است که دستگاه به شدت داغ شده باشد که می‌تواند منجر به سوختگی و انفجار گردد.
- ◀ در صورت تماس مایع داخل باتری با چشم‌ها، فوراً چشم‌ها را با آب شستشو دهید و به پزشک مراجعه نمائید. تماس مایع باتری با چشم‌ها ممکن است موجب از بین رفتن بینایی گردد.

◀ هرگز ابزارهای دارای جریان متناوب را به منبع تغذیه برق با جریان غیرمتناوب (هستقیم) وصل ننمائید. این کار منجر به آسیب دیدگی دستگاه و آسیب‌های فردی خواهد شد.

ایمنی فردی

◀ زمانی که خسته‌اید یا تحت تاثیر دارو قرار دارید و در مجموع زمانی که در سلامتی کامل به سر نمی‌برید، هرگز از ابزارآلات برقی استفاده ننمائید. چرا که لحظه‌ای درنگ و بی دقتی منجر به صدمات جبران ناپذیری خواهد شد.

◀ همواره از لوازم ایمنی مانند عینک ایمنی، ماسک هوا، کفش و کلاه ایمنی و محافظ گوش استفاده نمائید تا صدمات فردی کاهش یابد.

◀ برای اجتناب از شروع به کار ناگهانی دستگاه، قبل از اتصال آن به منبع برق از قرار داشتن کلید در وضعیت خاموش اطمینان حاصل نمائید. همچنین زمانی که آن را جا به جا می‌کنید، دو شاخه را از پریز جدا کرده و انگشتان را بر روی کلید قرار ندهید.

◀ قبل از روشن کردن دستگاه از عدم اتصال هرگونه ابزار تنظیم مانند آچار به قطعات دوار اطمینان حاصل نمائید چرا که می‌تواند منجر به صدمات جبران ناپذیری گردد.

◀ حالت صحیح قرارگیری پاها و حفظ تعادل بدن حین کار از خارج شدن کنترل دستگاه جلوگیری می‌نماید.

◀ همواره در حین کار از لباس کار مناسب استفاده نمائید. استفاده از لباس‌های غیر استاندارد و گشاد، جواهرات و داشتن موهای بلند امکان درگیر شدن آن‌ها را با قسمت‌های متحرک ابزارآلات برقی افزایش داده و ممکن است خطر آفرین شود.

◀ در صورت استفاده از غبار جمع کن از اتصال صحیح و مناسب آن به دستگاه اطمینان حاصل نمائید. استفاده از چنین لوازم جانبی، مضرات مربوط به غبار را کاهش خواهد داد.

استفاده صحیح از دستگاه

◀ از اعمال بار اضافه به دستگاه جدا خودداری نمائید. انتخاب درست ابزار برقی مناسب کارتان، باعث کاهش هزینه و زمان و حسن انجام کار برای شما خواهد شد. بنابراین همیشه برای انجام عملکرد مورد نظرتان از ابزار برقی مخصوص به آن کار استفاده نمائید.

◀ در صورت معیوب بودن کلید دستگاه، هرگز از آن استفاده نکنید و به نزدیک ترین مراکز خدمات پس از فروش برای تعمیر آن مراجعه نمائید. هر دستگاهی که با کلید قابل کنترل نباشد، خطر آفرین است و باید تعمیر شود.

◀ قبل از هرگونه تنظیم یا تعویض لوازم جانبی دستگاه، همچنین زمانی که از دستگاه استفاده نمی‌کنید دو شاخه را از منبع برق جدا نمائید. این کار از شروع به کار ناگهانی دستگاه جلوگیری خواهد کرد.

◀ ابزارآلات برقی را از دسترس کودکان و افراد غیرمتخصص دور نگهدارید. ابزارآلات برقی در دسترس افراد آموزش ندیده، خطر آفرین خواهند بود.

دستورالعمل‌های کلی ابزارآلات برقی



هشدار!

لطفا کلیه مواردی که در ذیل قید شده است را با دقت مطالعه فرمائید و به کار برید، عدم پیروی از دستورالعمل‌های ذیل ممکن است منجر به ایجاد صدمات جبران ناپذیر فیزیکی یا ایجاد اختلال در کارکرد ابزارآلات برقی شوند.

این دفترچه راهنما را بعد از مطالعه نگهداری نمائید.

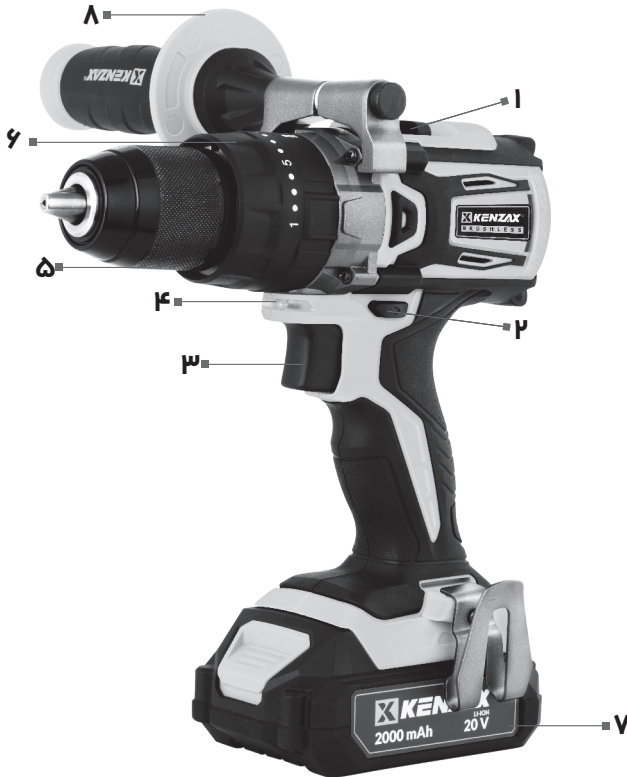
منظور از کلمه " ابزار برقی" در هشدارهای زیر کلیه ابزارهای برقی متصل به کابل یا ابزارهای شارژی دارای باتری می‌باشد.

ایمنی محل کار

- ◀ محل کار را تمیز و روشن نگهدارید. محیط‌های در هم ریخته و تاریک حادثه آفرین خواهند بود.
- ◀ هرگز از ابزارآلات برقی در مجاورت مواد اشتعال زا استفاده ننمائید. ابزار آلات برقی جرقه ایجاد می‌کند که ممکن است موجب آتش سوزی گردد.
- ◀ ابزارآلات برقی را هنگام استفاده از دسترس کودکان و افراد غیرمتخصص دور نگهدارید. زیرا ممکن است باعث از دست دادن تمرکز و کنترل دستگاه شود.

ایمنی برقی

- ◀ دو شاخه دستگاه باید متناسب با پریز باشد. با این کار احتمال برق گرفتگی به شدت کاهش خواهد یافت.
- ◀ در هنگام استفاده از دستگاه به محل عبور لوله، کابل برق مربوط به رادیاتور، گرمخانه و یا یخچال و... توجه نمائید. زیرا تماس بدن با آن‌ها احتمال خطر برق گرفتگی را افزایش می‌دهد.
- ◀ ابزارآلات برقی را در معرض باران و یا رطوبت قرار ندهید. ورود آب به ابزارآلات برقی ممکن است موجب برق گرفتگی شود.
- ◀ هرگز از کابل دستگاه برای حمل آن استفاده ننمائید و یا برای قطع اتصال دستگاه از پریز، کابل را نکشید. همچنین کابل را از معرض حرارت، سطوح نوک تیز، قطعات دوار و روغن دور نگهدارید. کابل‌های آسیب دیده مستعد بروز برق گرفتگی هستند.
- ◀ هنگام استفاده از دستگاه در محیط‌های باز، از سیم رابط مناسب استفاده نمائید تا احتمال برق گرفتگی کاهش یابد.
- ◀ هنگام استفاده از دستگاه در محیط‌های مرطوب حتما از کلید حفاظت جان (RCD) برای اتصال دستگاه به منبع تغذیه برق شهری استفاده نمائید. کلید حفاظت جان، مانند دستکش و کفش ایمنی به افزایش ایمنی فردی کمک می‌کند.

نام قطعات دستگاه**نام قطعات دستگاه**

- | | |
|-----------------------|-------------------|
| ۱. دکمه تغییر سرعت | ۵. سه نظام اتومات |
| ۲. کلید چپگرد/راستگرد | ۶. روکش ترکمتر |
| ۳. سوئیچ روشن/خاموش | ۷. باتری |
| ۴. چراغ روشنایی | ۸. دسته کمکی |

مشخصات فنی

مدل	8861P
ولتاژ	۲۰ ولت
حداکثر سرعت	دور یک: ۰ - ۵۰۰ دور بر دقیقه دور دو: ۰ - ۱۸۰۰ دور بر دقیقه
حداکثر ضربه	۲۸۸۰۰-۰ ضربه در دقیقه
حداکثر گشتاور	۷۰ نیوتن متر
سایز سه نظام	۱۳ میلی‌متر
نوع سه نظام	اتومات فلزی
تکنولوژی باتری	لیتیوم-یون
تنظیمات ترکمتر	۲+۳
ظرفیت باتری	۲ آمپر ساعت
حداکثر قطر سوراخ کاری	در آهن: ۱۳ میلی‌متر در چوب: ۳۸ میلی‌متر در بتن: ۸ میلی‌متر
نوع بسته بندی	کیف BMC
متعلقات	۲ عدد باتری یک عدد شارژر دسته جانبی



دریل پیچ گوشتی شارژی ۲۰ ولت دوسرعته چکشی- ۶۰ نیوتن متر- براشلس



ITEM NO. 8861P

دفترچه راهنمای فارسی